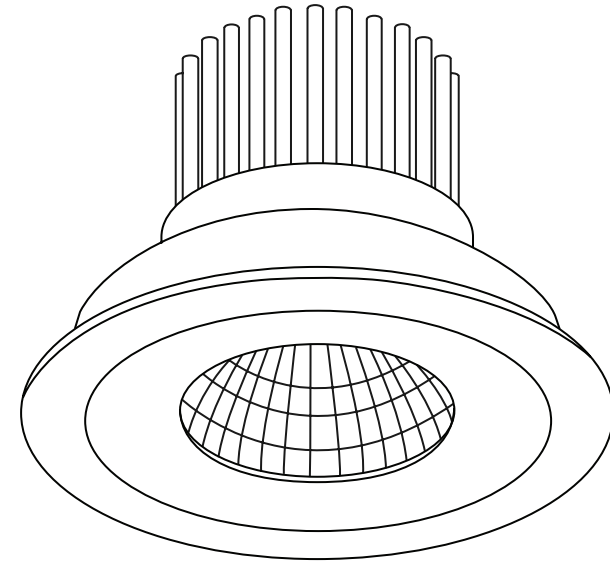


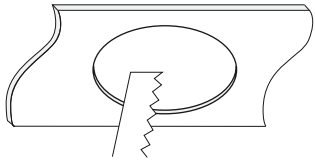
Model No	Input Voltage	Power (W)	Colour Temperature	CRI	Ingress Protection
RDA83	220-240	8.5	3000K	85+	IP20
RDA84	220-240	8.5	4000K	85+	IP20
RDC83	220-240	8.5	3000K	85+	IP20
RDC84	220-240	8.5	4000K	85+	IP20
RDT83	220-240	8.5	3000K	85+	IP20
RDT84	220-240	8.5	4000K	85+	IP20
RDF83	220-240	8.5	3000K	85+	IP65
RDF84	220-240	8.5	4000K	85+	IP65

Applicable for:	RDA8
	RDC8
	RDT8
	RDF8


TREND
 LIGHT BY SOLID STATE

 Level 3 290-292 Coward Street Mascot NSW 2020
 Ph: (02) 9669 8888 / Fax: (02) 9669 8899 / Email: sales@trendlighting.com.au

Step 1

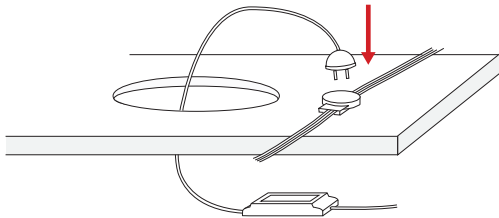


Cut Out

RDA8: 76mm RDC8: 92mm
RDT8: 78mm RDF8: 76-92mm

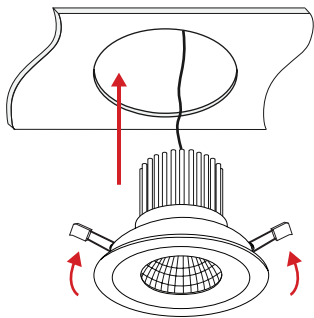
Please note: Ensure cut-out corresponds with selected fitting.

Step 2



Connect driver to 240v mains

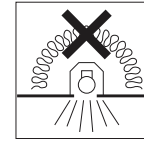
Step 3



Bend springs upward and install luminaire into ceiling.

To maintain IP65 rating on RDF8 luminaires, ensure the luminaire is installed on a flat, level ceilings and the silicone gasket has an adequate seal to the mounting surface.

Installation Notes

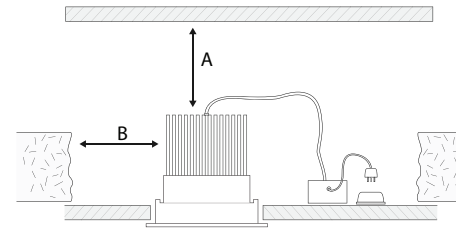


DO NOT COVER

MANUFACTURER'S RECOMMENDATION:

- NO BARRIER REQUIRED
- OBSERVE CEILING CLEARANCES

Do not cover luminaire or driver with thermally insulating material. You can however, safely abut timber rafters to simplify layout but a 50mm minimum clearance must be kept around the light fitting from ceiling insulation.



A: 50mm (luminaire - ceiling)
B: 50mm (luminaire - insulation)

Important Safety Information

This product must be installed by a **licenced electrician** in accordance with AS/NZS 3000 and local regulations.

Ensure there is no thermal insulation on top of, or within 100mm of the luminaire and driver.

To maintain IP65 protection on RDF8 luminaires, ensure the fitting is installed in accordance with the installation instructions and the mounting surface is able to provide an adequate seal as per Step 3.

Approvals

The C-Tick marking of this product applies to AS/NZS CISPR15:2011 "Limits and methods of measurement of radio disturbance characteristics of electrical lighting and similar equipment." This product is designed to conform to AS/NZS60598 "Luminaires, general requirements and tests".