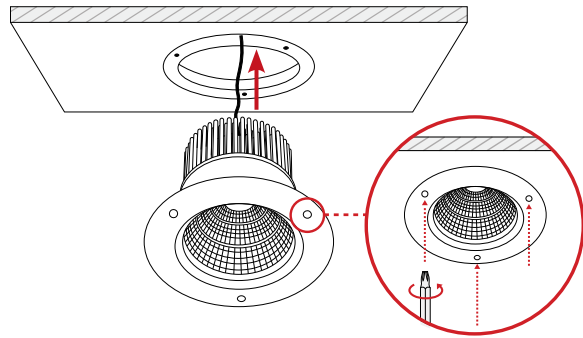
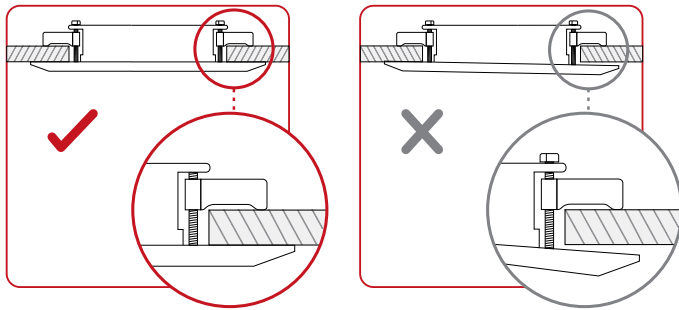


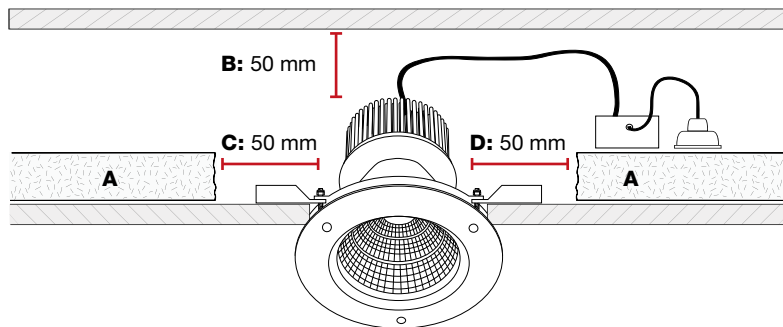
- 5** Insert the luminaire into the ceiling through the mounting hole and screw the 3 security torx to secure the luminaire to the ceiling.



- 6** For anti-ligature and anti-vandal installations, it is imperative that the luminaire body sits flat on the ceiling.

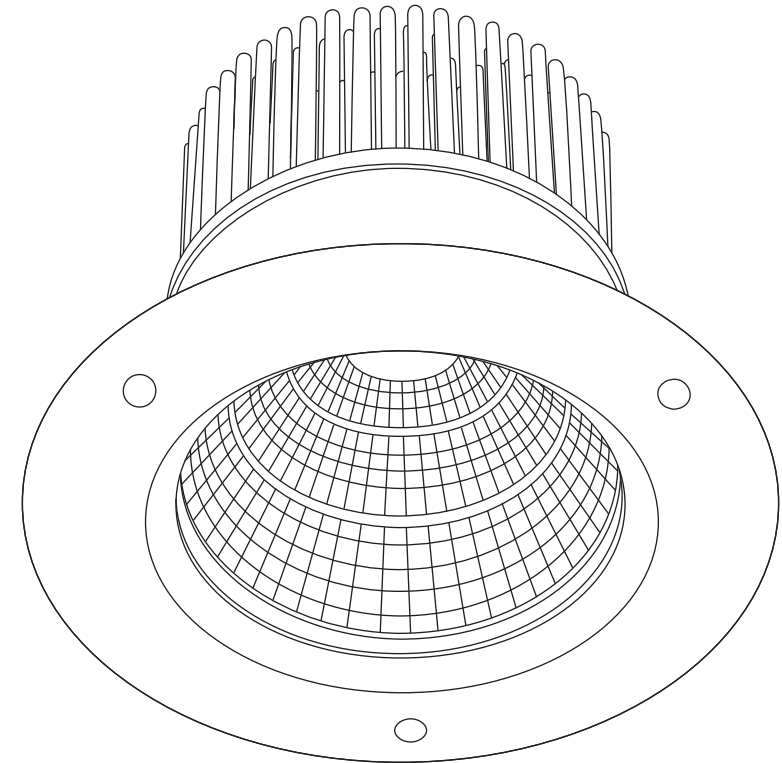


- 7** Do not cover luminaire or driver with thermally insulating material (A). It is recommended to allow a minimum of 50 mm clearance from combustible materials, as shown in (B), (C) and (D).



V1-11.03.2024 Product designs and technical data may be subject to change.

Midiled XAL25 Anti-ligature Recessed Downlight *Installation Guide*



For warranty information, please visit

trendlighting.com.au/warranty

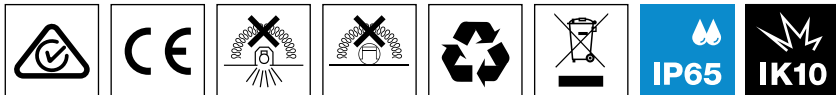
Important Safety Information

Please read these installation instructions carefully before installing this luminaire.

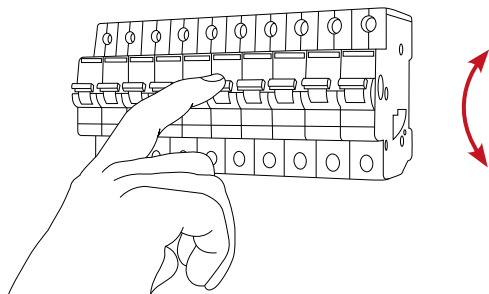
- This product must be installed by a licensed electrician in accordance with AS/NZS 3000 and local regulations.
- Isolate the mains power supply prior to installation.
- Only reconnect mains power after installation is completed.
- No part of the luminaire should be altered or modified.
- This product is not user serviceable.

Approvals

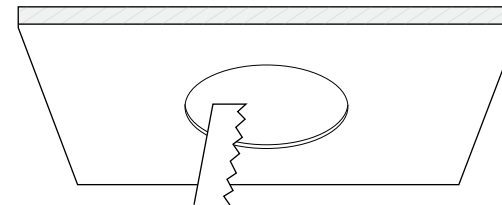
The RCM marking of this product applies to AS/NZS 4417.1 "Regulatory compliance mark (RCM) for electrical and electronic equipment". This product is designed to conform to AS/NZS 60598 "Luminaires, general requirements and tests".



1 Isolate the mains power supply prior to commencing installation.

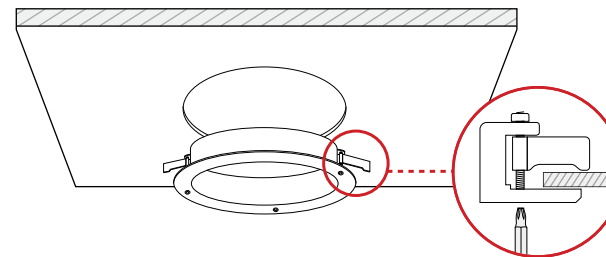


2 Mark at the correct location. Cut a hole in the ceiling in accordance with cutout size. XAL25 ceiling cutout: **130 mm**



To maintain IP65 rating on XAL25, ensure that the luminaire is installed on a flat level ceiling and that the luminaire has an adequate seal to the mounting surface.

3 Insert the installation ring into the ceiling, ensuring that it is flat and even. Tighten the screws using the supplied torx bit to release the fold out tabs and secure the ring into the ceiling.



4 Connect luminaire to 240V plug socket and insert driver and cable into the ceiling.

