



Scan to explore  
XSR35 online

# Suspended XSR35

35W Suspended Downlight

Product Code	Colour Temperature	Colour Technology	Beam Angle	Trim Colour	Insert Colour	Driver
XSR35	2.7 (2700K)	(CRI 90+ Standard)	NB (Narrow)	W (White)	WI (White)	ND (Non-dimmable)
	3 (3000K)	V (CRI 93+ VIVID)	MB (Medium)	B (Black)	BI (Black)	DALI (DALI)
	3.5 (3500K)	R (CRI 97+ Standard)	WB (Wide)	S (Silver)	SI (Silver)	
	4 (4000K)				GI (Gold)	

Order Code **XSR354-WB-B-BI-ND**

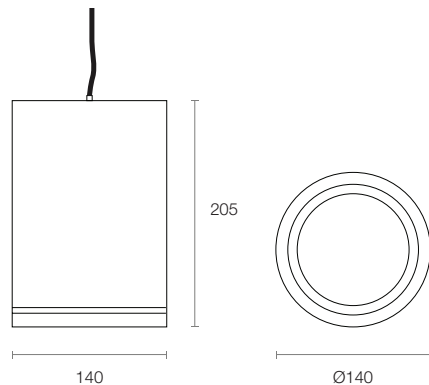


To configure this pendant, please visit  
[trendlighting.com.au/product/suspended-XSR35](http://trendlighting.com.au/product/suspended-XSR35)

## Physical Characteristics

Trim Colour	White   Black   Silver
Insert Colour	White   Black   Silver   Gold
Dimensions	Ø140 x 205 (H) mm
Suspension Height	1000 mm Max
Weight	1835 g

## Dimensions (mm)



## Product Features

- Suspended LED downlight, manufactured with an aluminium body in powder coat finish and sealed face with silicone gasket
- Designed with no visible mounting screws providing a cleaner look with a large integral pin fin heatsink for excellent thermal management
- Also available in other power and size options ([XSR10](#) and [XSR25](#))
- CRI 90+ available in 2700K, 3000K, 3500K and 4000K CCT options; CRI 93+ VIVID and CRI 97+ available in 2700K, 3000K and 4000K CCT options
- Supplied with an integral driver

## Product Attributes



## Technical Characteristics

Based on XSR354-WB-B-BI-TE

LED Power	35W
LED Type	COB
Lumen Output	4746 lm
Luminous Flux	3625 lm
Efficacy	96.67 lm/W
Colour Temperature	2700K   3000K   3500K   4000K
Colour Technology	CRI 90+   CRI 93+ VIVID   CRI 97+
Colour Deviation	SDCM ≤ 2
Lifetime	50,000 hours (L80)
Beam Angle	Narrow   Medium   Wide

System Power	37.5W Typical
Driver Model	Trend 150081-800 (T/E)
Input	220-240V AC 50/60 Hz
Output	25-40V DC 800mA
Power Factor	>0.90
Protection	OVP, OTP, OCP, SCP, OPP
Dimming	Non-dimmable   DALI

## General Characteristics

Category	Downlights
Family	Surface
Surface	Ceiling
Mounting	Suspended
Ingress Protection	IP44



Scan to explore  
XSR35 online

# Suspended XSR35

35W Suspended Downlight

Product Code	Colour Temperature	Colour Technology	Beam Angle	Trim Colour	Insert Colour	Driver
<b>XSR35</b>	2.7 (2700K)	(CRI 90+ Standard)	NB (Narrow)	W (White)	WI (White)	ND (Non-dimmable)
	3 (3000K)	V (CRI 93+ VIVID)	MB (Medium)	<b>B (Black)</b>	<b>BI (Black)</b>	DALI (DALI)
	3.5 (3500K)	R (CRI 97+ Standard)	<b>WB (Wide)</b>	S (Silver)	SI (Silver)	
	4 (4000K)				GI (Gold)	

Order Code **XSR354-WB-B-BI-ND**

To configure this pendant, please visit  
[trendlighting.com.au/product/suspended-XSR35](http://trendlighting.com.au/product/suspended-XSR35)

## Trim Colour



W  
White Trim



B  
Black Trim

## Insert Colour



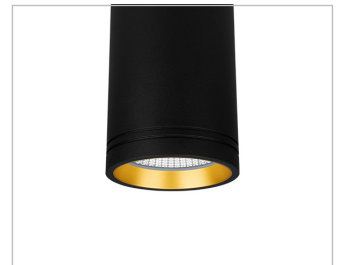
WI  
White Insert



BI  
Black Insert



SI  
Silver Insert



GI  
Gold Insert