

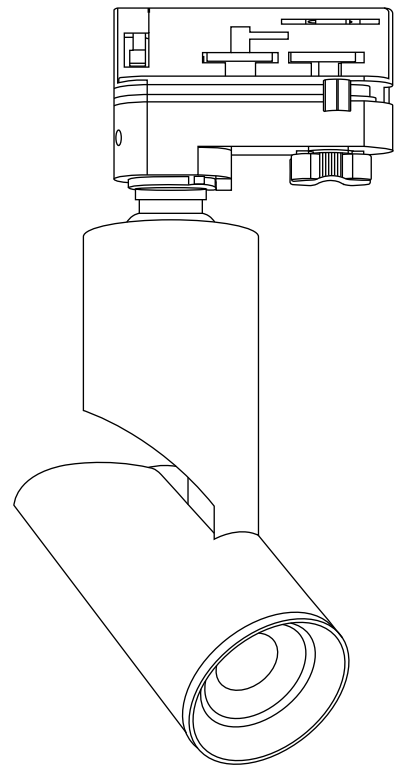
5 Connect / Reconnect track to power and switch the track selection knob to the required circuit (Circuit 1 shown below).

6 The fixture features a fully adjustable design with 350° horizontal rotation (**A**) and 90° vertical tilt (**B**). Twisting the zoomable lens (**C**) allows for altering the beam angle — twisting left widens the beam to 70°, while twisting right narrows it to 20°.

V1-02-05.2024 Product designs and technical data may be subject to change.

Track Spot XTF25

Installation Guide



For warranty information, please visit
trendlighting.com.au/warranty

Important Safety Information

Please read these installation instructions carefully before installing this luminaire.

- This product must be installed by a licensed electrician in accordance with AS/NZS 3000 and local regulations.
- Isolate the mains power supply prior to installation.
- Only reconnect mains power after installation is completed.
- No part of the luminaire should be altered or modified.
- This product is not user serviceable.

Installation Notes



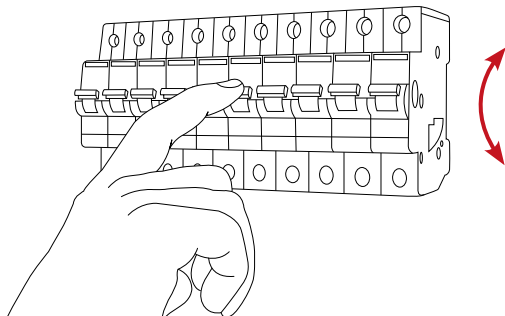
Product Code

XTF25

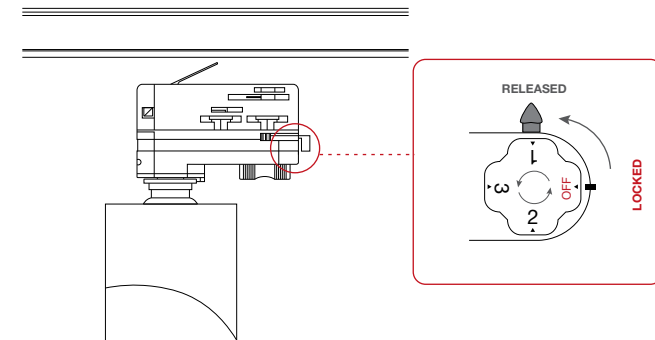
Dimensions

Ø75 mm x 176 (H) mm

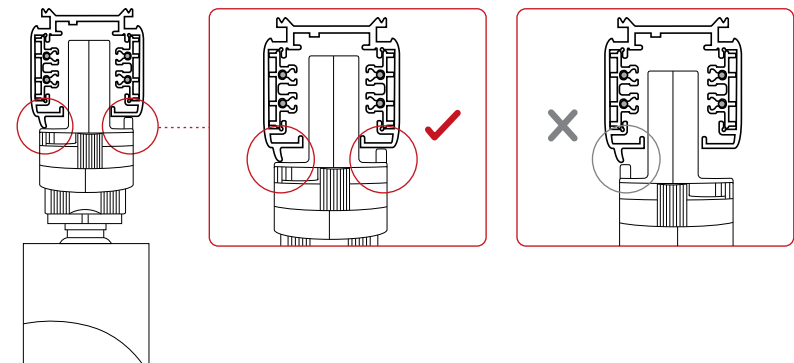
1 Isolate the mains power supply prior to commencing installation.



2 Check to ensure the circuit selector knob is set to 'off' and the locking lever is in the 'released' position.



3 Ensure the track connector is oriented correctly in the track.



4 Insert luminaire into the track and move locking lever to the locked position.

