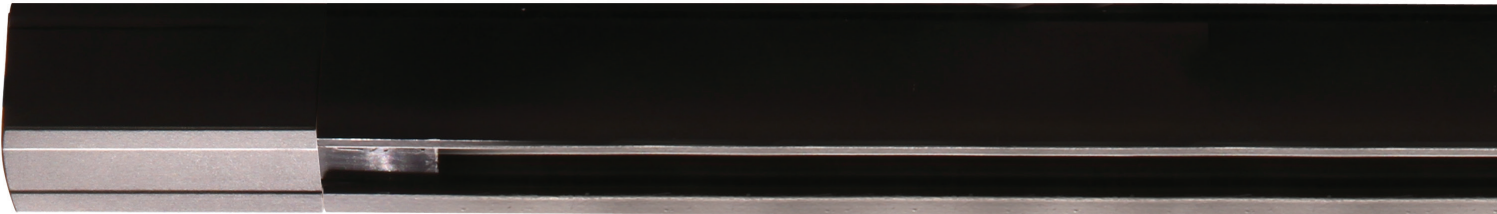


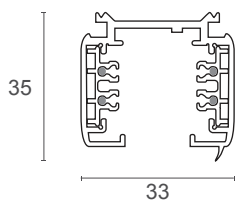
# 3-Circuit Track



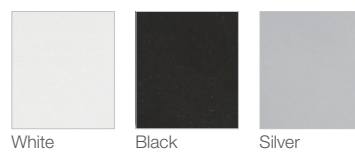
## TRA3C

240V 3-circuit track enabling up to 3 lighting configurations to be set on one track and be controlled and switched individually. Optional wire suspension wire kit available.

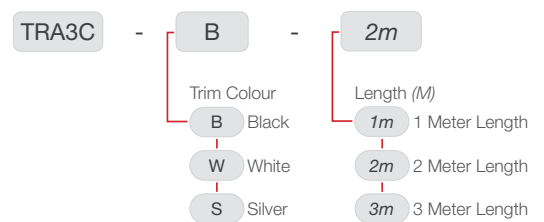
### TRA3C Dimensions



### TRA3C Colours



### TRA3C Order Code



# 3-Circuit Track Accessories



Straight Join



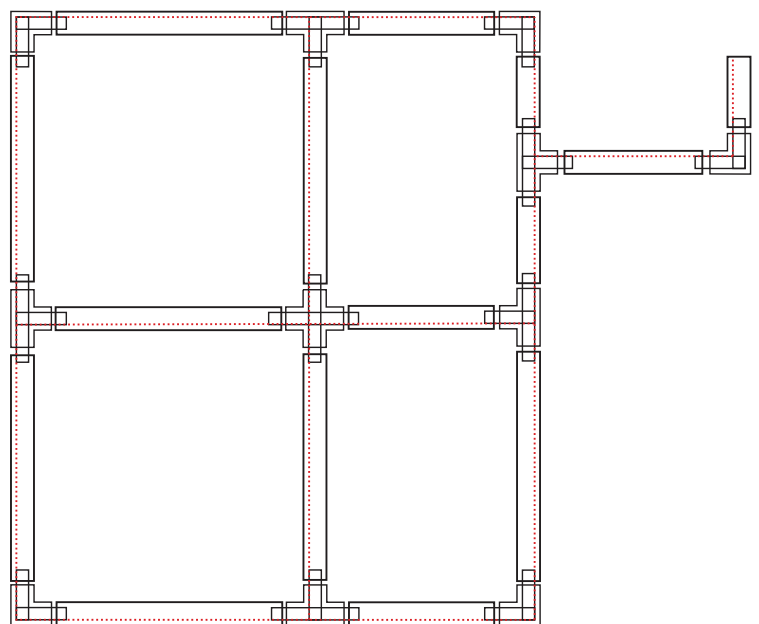
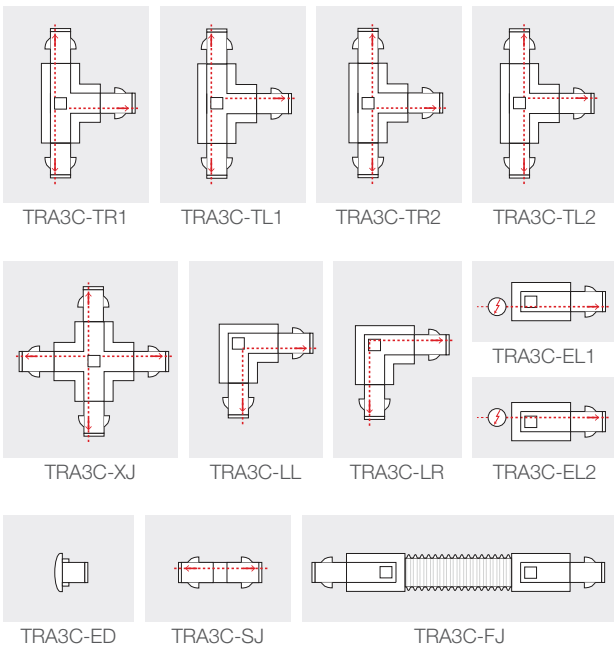
Left / Right Join



T Join



X Join



Product Code	Description
TRA3C-SJ	3 Circuit Track Adaptor - Straight Join
TRA3C-TL1	3 Circuit Track Adaptor - T Join (3 way) Type L1
TRA3C-TL2	3 Circuit Track Adaptor - T Join (3 way) Type L2
TRA3C-TR1	3 Circuit Track Adaptor - T Join (3 way) Type R1
TRA3C-TR2	3 Circuit Track Adaptor - T Join (3 way) Type R2
TRA3C-XJ	3 Circuit Track Adaptor - X Join (4 way)
TRA3C-LR	3 Circuit Track Adaptor - Right Join
TRA3C-LL	3 Circuit Track Adaptor - Left Join
TRA3C-F	3 Circuit Track Adaptor - Flexible Join
TRA3C-ED	3 Circuit Track Adaptor - End Cap
TRA3C-EL	3 Circuit Track Adaptor - Power Connector

## Accessories Order Codes

