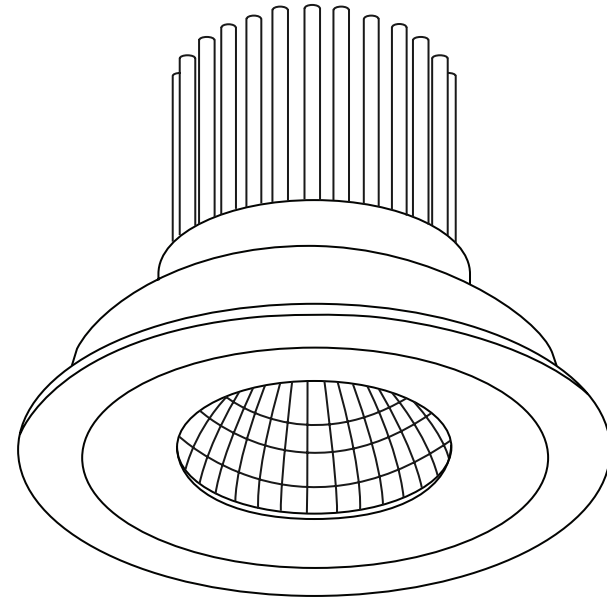


# MINILED 10W Range INSTALLATION INSTRUCTIONS

Model No	Cut-Out	Input Voltage	Power (W)	CRI	Ingress Protection
XDA10	76mm	220-240	10	90	IP20
XDC10	92mm	220-240	10	90	IP20
XDF10	76-92mm	220-240	10	90	IP65
XDG10	92mm	220-240	10	90	IP20
XDH10	92mm	220-240	10	90	IP20
XDI10	92mm	220-240	10	90	IP20
XDJ10	70mm	220-240	10	90	IP65
XDK10	76-92mm	220-240	10	90	IP44
XDR10	78mm	220-240	10	90	IP65
XDT10	78mm	220-240	10	90	IP20
XDRL10	92mm	220-240	10	90	IP65
XDTL10	92mm	220-240	10	90	IP20
XDQ10	76mm	220-240	10	90	IP20

Applicable for:

XDA10 XDR10  
 XDC10 XDT10  
 XDF10 XDRL10  
 XDG10 XDTL10  
 XDH10 XDQ10  
 XDI10 XDK10  
 XDJ10



**TREND**  
 LIGHT BY SOLID STATE

Level 3 290-292 Coward Street Mascot NSW 2020  
 Ph: (02) 9669 8888 / Fax: (02) 9669 8899 / Email: sales@trendlighting.com.au

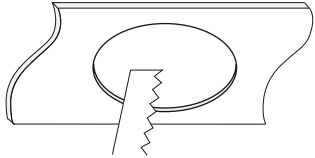


**TREND**  
 LIGHT BY SOLID STATE

## Before Installation

Be sure to read this installation pamphlet in its entirety before commencing installation.

### Step 1

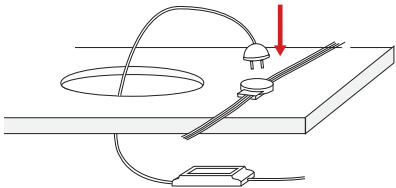


Always ensure mains power is switched OFF before commencing any electrical work.

**Cut Out: Refer to back page**

Please note: Ensure cut-out corresponds with selected fitting.

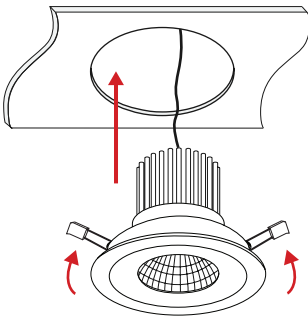
### Step 2



Securely fix the driver as per AS/NZS 3000:2007, clause 4.5.2.3

Connect driver to 240v mains

### Step 3



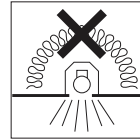
Bend springs upward and install luminaire into ceiling. Once installed the springs should clamp down on the ceiling to support the fixture.

To maintain IP65 rating on XDJ10, XDR10, XDRL10 and XDF10 luminaires, ensure the luminaire is installed on a flat, level ceilings and the silicone gasket has an adequate seal to the mounting surface.

Ensure both the driver and luminaire are not covered with any material.

Switch mains power back on.

## Installation Notes

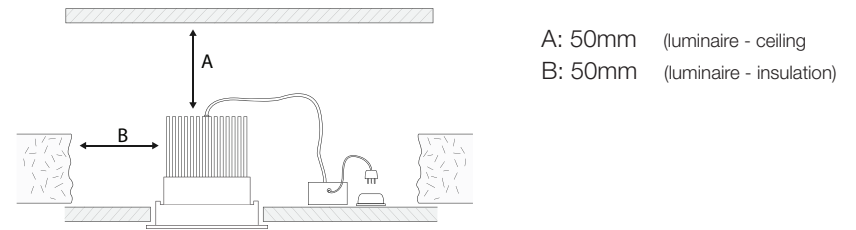


### DO NOT COVER

MANUFACTURER'S RECOMMENDATION:

- NO BARRIER REQUIRED
- OBSERVE CEILING CLEARANCES

Do not cover luminaire or driver with thermally insulating material. You can however, safely abut timber rafters to simplify layout but a 50mm minimum clearance should be kept around the light fitting from ceiling insulation.



## Important Safety Information

This product must be installed by a **licenced electrician** in accordance with AS/NZS 3000 and local regulations.

Ensure there is no thermal insulation on top of, or within 50mm of the luminaire and driver.

To maintain Ingress Protection on IP65 Rated luminaires, ensure the fitting is installed in accordance with the installation instructions and the mounting surface is able to provide an adequate seal as per Step 3.

## Approvals

The RCM marking of this product applies to AS/NZS CISPR15:2011 "Limits and methods of measurement of radio disturbance characteristics of electrical lighting and similar equipment." This product is designed to conform to AS/NZS60598 "Luminaires, general requirements and tests".