



Scan to explore
XMA310 online

Miniled XMA310

3 x 10W Recessed Adjustable Rectangular Downlight

Product Code	Colour Temperature	Colour Technology	Beam Angle	Trim Colour	Driver
XMA310	2.7 (2700K)	(CRI 90+ Standard)	NB (Narrow)	W (White)	LT (Leading & Trailing Edge)
	3 (3000K)	V (CRI 93+ VIVID)	MB (Medium)	B (Black)	DALI (DALI)
	3.5 (3500K)	R (CRI 97+ Standard)	WB (Wide)	S (Silver)	110V (1-10V)
	4 (4000K)				

Order Code **XMA3104-WB-W-LT**

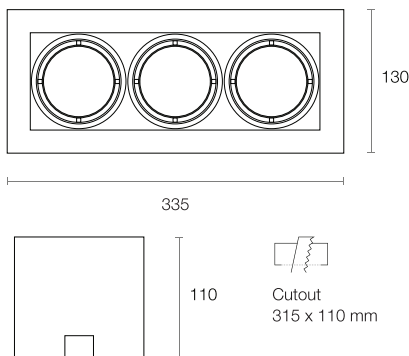


To configure this downlight, please visit
trendlighting.com.au/product/miniled-XMA310

Physical Characteristics

Trim Colour	White Black Silver
Tilt Angle	35° x 35°
Dimensions (LxWxH)	335 x 130 x 110 mm
Spring Height	21 mm
Cutout	Rectangular 315 x 110 mm
Weight	510 g

Dimensions (mm)



Product Features

- Triple recessed LED downlight with rectangular trim
- Also available in a single spot (XMA10) or as twin configuration (XMA210)
- Manufactured with an aluminium body and powder coat finish
- Designed to be fully versatile, allowing for changes in the direction and inclination angle of the light up to 35° in 2 directions
- CRI 90+ available in 2700K, 3000K, 3500K and 4000K CCT options; CRI 93+ VIVID and CRI 97+ available in 2700K, 3000K and 4000K CCT options
- Supplied with a remote driver

Product Attributes



Technical Characteristics

Based on XMA3104-WB-W-LT

LED Power	3 x 10.5W
LED Type	COB
Lumen Output	4350 lm
Luminous Flux	3426 lm
Efficacy	97.61 lm/W
Colour Temperature	2700K 3000K 3500K 4000K
Colour Technology	CRI 90+ CRI 93+ VIVID CRI 97+
Colour Deviation	SDCM ≤ 3
Lifetime	50,000 hours (L80)
Beam Angle	Narrow Medium Wide
System Power	35.1W Typical
Driver Model	Trend 150218-300 (L&T) x 3
Input	180-265V AC 50/60 Hz
Output	30-40V DC 300mA x 3
Power Factor	>0.93
Protection	OVP, OTP, OCP, SCP, OPP
Dimming	Leading & Trailing Edge DALI 1-10V

General Characteristics

Category	Downlights
Family	Miniled
Surface	Ceiling
Mounting	Recessed
Insulation Contact	Non-IC
Ingress Protection	IP20



Scan to explore
XMA310 online

Miniled XMA310

3 x 10W Recessed Adjustable Rectangular Downlight

Product Code	Colour Temperature	Colour Technology	Beam Angle	Trim Colour	Driver
XMA310	2.7 (2700K)	(CRI 90+ Standard)	NB (Narrow)	W (White)	LT (Leading & Trailing Edge)
	3 (3000K)	V (CRI 93+ VIVID)	MB (Medium)	B (Black)	DALI (DALI)
	3.5 (3500K)	R (CRI 97+ Standard)	WB (Wide)	S (Silver)	110V (1-10V)
	4 (4000K)				

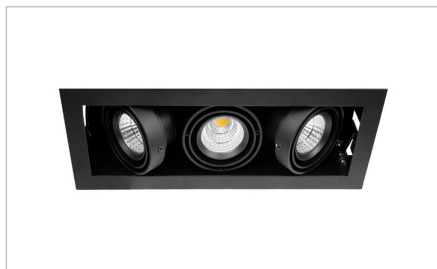
Order Code **XMA3104-WB-W-LT**

To configure this downlight, please visit
trendlighting.com.au/product/miniled-XMA310

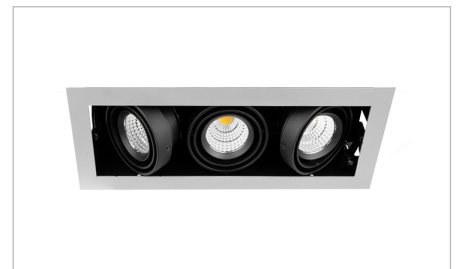
Trim Colour



W
White Trim



B
Black Trim



S
Silver Trim