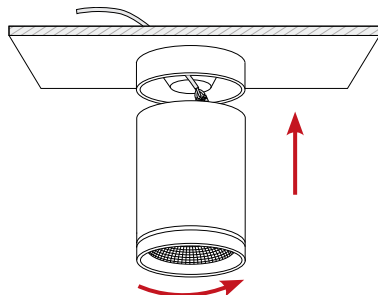
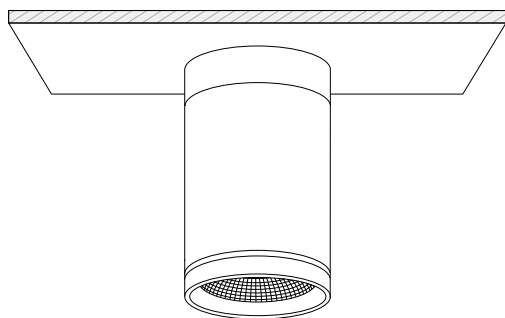


- 6** Secure the luminaire to the mounting base plate by twisting it into place until the luminaire sits flush with the ceiling. Exercise caution when twisting to avoid overtightening, as this may damage the o-ring seal. The o-ring must form a good seal between the IP65 mounting base plate and the luminaire body.

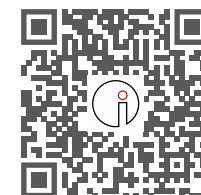
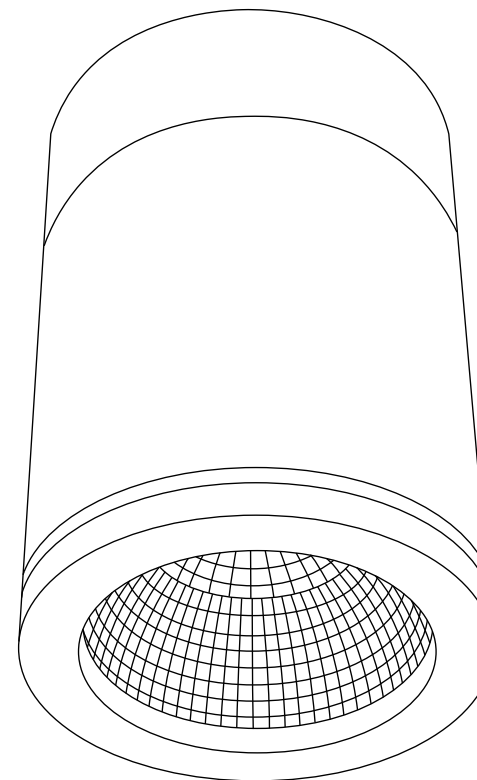


- 7** Restore power once installation has been completed.



V1-18.03.2024 Product designs and technical data may be subject to change

Surface XSR2510-IP65 LED Downlight *Installation Guide*



For warranty information, please visit
trendlighting.com.au/warranty

Important Safety Information

Please read these installation instructions carefully before installing this luminaire.

- This product must be installed by a licensed electrician in accordance with AS/NZS 3000 and local regulations.
- Isolate the mains power supply prior to installation.
- Only reconnect mains power after installation is completed.
- No part of the luminaire should be altered or modified.
- This product is not user serviceable.

General Information



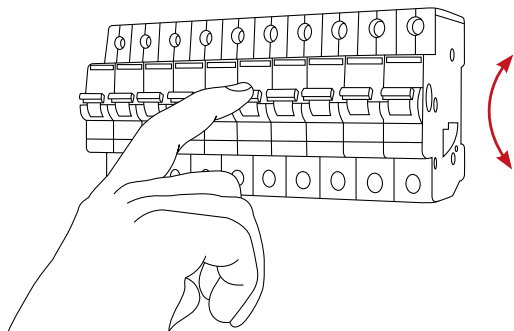
Product Code

XSR2510-IP65

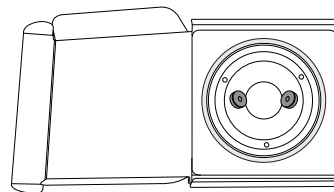
Dimension

Ø110 mm x 215 (H) mm

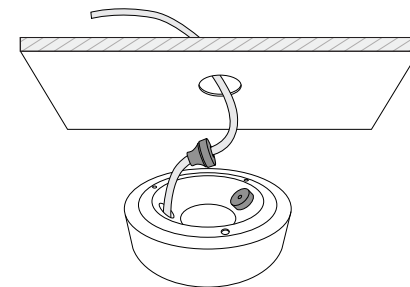
1 Isolate the mains power supply prior to commencing installation.



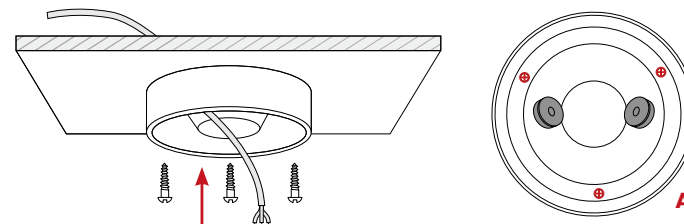
2 Locate and unpack the mounting base plate.



3 Feed the 240V mains cable through the grommet and into the mounting base plate.



4 Fix the mounting base plate to the ceiling. To maintain ingress protection, ensure the mounting surface is level and the silicone gasket forms an adequate seal against the mounting surface. For best results, install with a minimum of 3 evenly spaced screws, see detail (A).



5 Connect 240V power feed to the terminal block of the luminaire.

