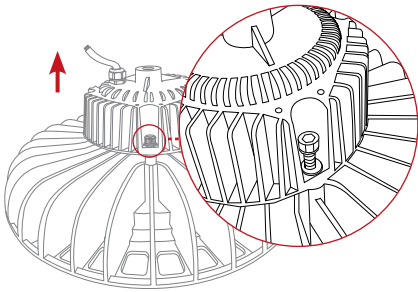
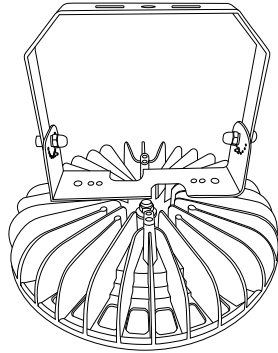


Surface Mounted Installation

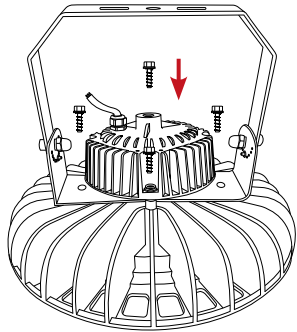
- 2 Unscrew the driver and detach it from the luminaire.



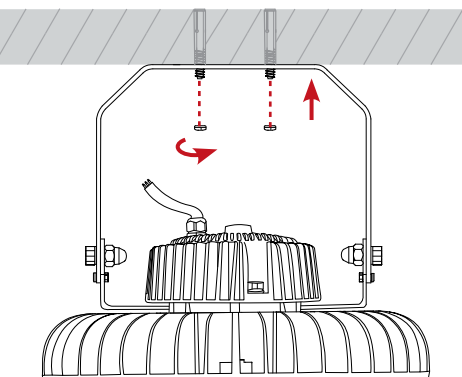
- 3 Place the bracket on top of the luminaire.



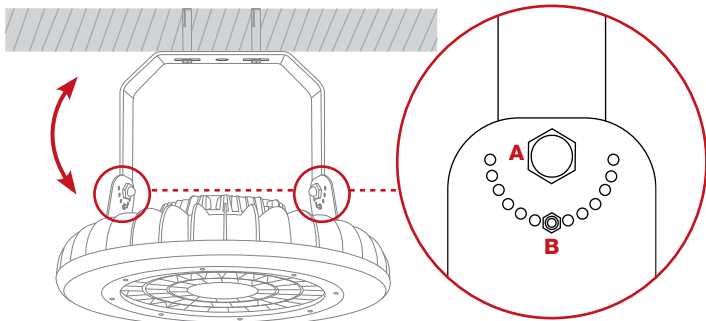
- 4 Place the driver back and screw the bracket together



- 5 Screw the luminaire tightly into the ceiling.

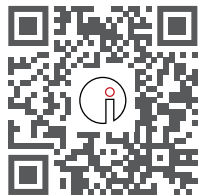
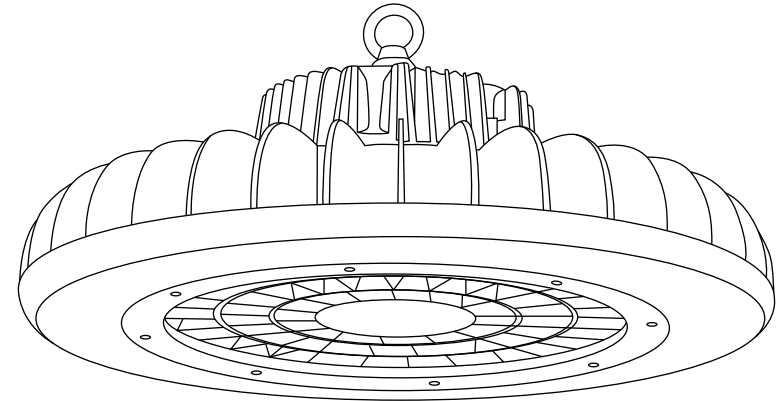


- 6 To change the tilt angle, loosen the screws (A) and (B). Adjust the lower bar to the desired angle, then tighten the screws to secure the fitting.



V1-19.03.2024 Product designs and technical data may be subject to change.

Bayled XPU150 IP65 Rated Low Bay Installation Guide



Scan to explore
XPU150 online

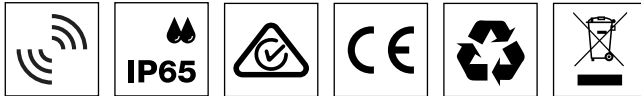
For warranty information, please visit
trendlighting.com.au/warranty

Important Safety Information

Please read these installation instructions carefully before installing this luminaire.

- This product must be installed by a licensed electrician in accordance with AS/NZS 3000 and local regulations.
- Isolate the mains power supply prior to installation.
- Only adjust the Wattage and CCT switch when luminaire is powered off.
- Only reconnect mains power after installation is completed.
- No part of the luminaire should be altered or modified.
- This product is not user serviceable.

Installation Notes



Sensor *
(Optional)

Ingress
Protection

Product Code

Dimensions

XPU1505-B-ND

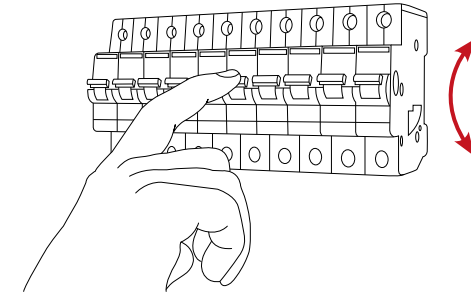
Ø320 x 177 (H) mm

XPU1505-B-ND-MMS* (Sensor)

Ø320 x 177 (H) mm

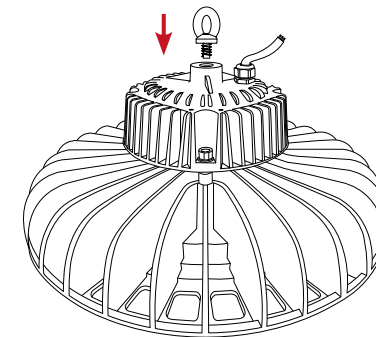
* Detection area: 140 degree wide detective beam angle with 4-6 meters distance

1 Isolate the mains power supply prior to commencing installation.



Suspended Installation

2 Ensure that the eyebolt is connected to the top of the luminaire.



3 Suspend the luminaire from a suitable mounting point.

