

5 Connect 230V power feed to the terminal block of the luminaire.

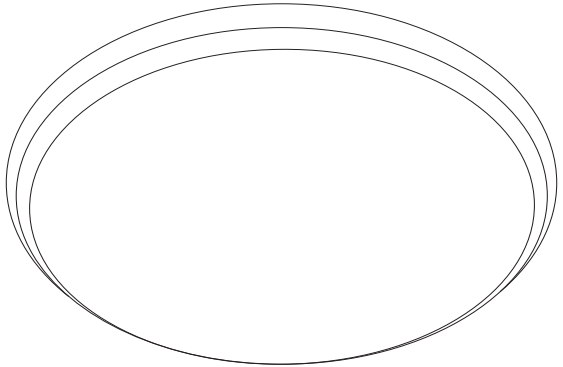
L = SWITCHED/ ACTIVE
N = NEUTRAL

6 Secure luminaire with grub screws to mounting bracket.

7 Restore power once installation has been completed.

V2-01.03.2023 Product designs and technical data may be subject to change

Luna ST12 IK10 Rated Surface Mounted Tricolour LED Oyster Installation Guide



Scan to explore ST12 online

trendlighting.com.au/series/trade

For warranty information, please visit

trendlighting.com.au/warranty

Important Safety Information

Please read these installation instructions carefully before installing this luminaire.

- This product must be installed by a licensed electrician in accordance with AS/NZS 3000 and local regulations.
- Isolate the mains power supply prior to installation.
- Only adjust the CCT switch when luminaire is powered off.
- Only reconnect mains power after installation is completed.
- No part of the luminaire should be altered or modified.
- This product is not user serviceable.

Installation Notes



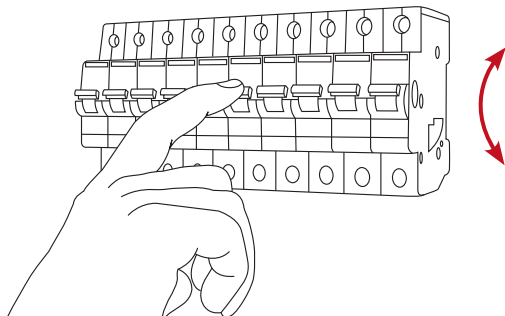
Product Code

Dimensions

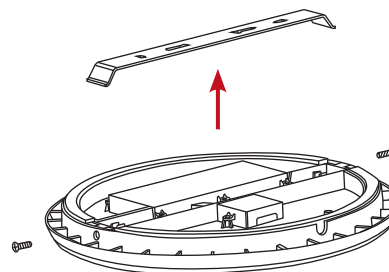
ST12-TRI-W-LT (White)	Ø200 x 48 (H) mm
ST12-TRI-B-LT (Black)	Ø200 x 48 (H) mm

ST12 available in White (**W**) and Black (**B**) trim colour.

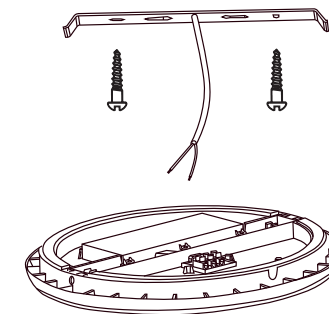
1 Isolate the mains power supply prior to commencing installation.



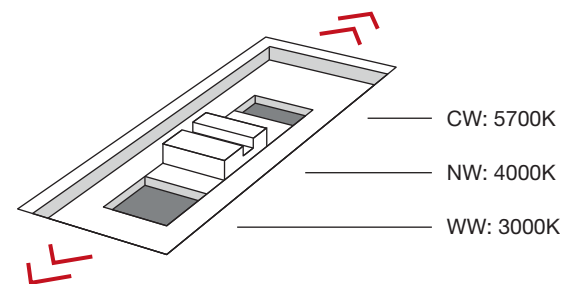
2 Remove grub screws to release mounting bracket from luminaire.



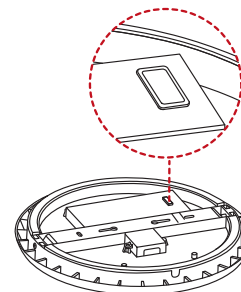
3 Fix mounting bracket to the ceiling. Install with a minimum 2 fixings.



4 Only adjust CCT switch (located at rear of luminaire) when luminaire is powered off. CCT switch illustration is shown below.



4.1 Remove rubber grommet to access CCT Switch.



4.2 Choose and set desired colour temperature in the CCT switch. Re-insert rubber grommet back into previous location.

