



Scan to explore
XRD25 online

Midiled XRD25

24W Recessed Adjustable Pull-out Downlight

Product Code	Colour Temperature	Colour Technology	Beam Angle	Trim Colour	Insert Colour	Accessories *	Driver
XRD25	3 (3000K)	(CRI 90+ Standard)	MB (Medium)	W (White)	WI (White)	HL (Honeycomb Lens)	LT (Leading & Trailing Edge)
	4 (4000K)			B (Black)	BI (Black)	LL (Linear Spreader Lens)	DALI (DALI)
					SI (Silver)	OL (Soft Outline Lens)	
					GI (Gold)		

Order Code **XRD254-MB-W-WI-LT**

* Optional accessories



To configure this downlight, please visit
trendlighting.com.au/product/midiled-XRD25

Product Features

- Recessed adjustable LED downlight with pull-out gimble design in compact size
- Featured with 355° rotation and 90° tilting capabilities, allowing for directional adjustment in a variety of lighting applications
- Configurable with optional coloured inserts, enabling seamless integration with any design aesthetic
- CRI 90+ available in 3000K and 4000K CCT options
- Supplied with a remote driver

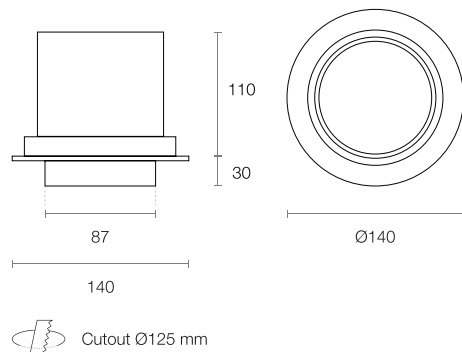
Product Attributes



Physical Characteristics

Trim Colour	White Black
Insert Colour	White Black Silver Gold
Tilt Angle	90°
Rotation	355°
Dimensions	Ø140 x 140 (H) mm
Spring Height	42 mm
Cutout	Circular 125 mm
Weight	850 g

Dimensions (mm)



Technical Characteristics

Based on XRD254-MB-W-WI-LT

LED Power	24W
LED Type	COB
Lumen Output	3557 lm
Luminous Flux	2160 lm
Efficacy	84.38 lm/W
Colour Temperature	3000K 4000K
Colour Technology	CRI 90+
Colour Deviation	SDCM ≤ 3
Lifetime	50,000 hours (L80)
Beam Angle	Medium

System Power	25.6W Typical
Driver Model	Trend 150020-700 (L&T)
Input	180-265V AC 50/60 Hz
Output	30-40V DC 700mA
Power Factor	>0.90
Protection	OVP, OTP, OCP, SCP, OPP
Dimming	Leading & Trailing Edge DALI

General Characteristics

Category	Downlights
Family	Midiled
Surface	Ceiling
Mounting	Recessed
Insulation Contact	Non-IC
Ingress Protection	IP20



Scan to explore
XRD25 online

Midiled XRD25

24W Recessed Adjustable Pull-out Downlight

Product Code	Colour Temperature	Colour Technology	Beam Angle	Trim Colour	Insert Colour	Accessories *	Driver
XRD25	3 (3000K)	(CRI 90+ Standard)	MB (Medium)	W (White)	WI (White)	HL (Honeycomb Lens)	LT (Leading & Trailing Edge)
	4 (4000K)			B (Black)	BI (Black)	LL (Linear Spreader Lens)	DALI (DALI)
					SI (Silver)	OL (Soft Outline Lens)	
					GI (Gold)		

Order Code **XRD254-MB-W-WI-LT**

* Optional accessories

To configure this downlight, please visit
trendlighting.com.au/product/midiled-XRD25

Trim Colour



W
White Trim



B
Black Trim

Insert Colour



WI
White Insert



BI
Black Insert



SI
Silver Insert



GI
Gold Insert

Accessories *



HL
Honeycomb Lens



LL
Linear Spreader Lens



OL
Soft Outline Lens