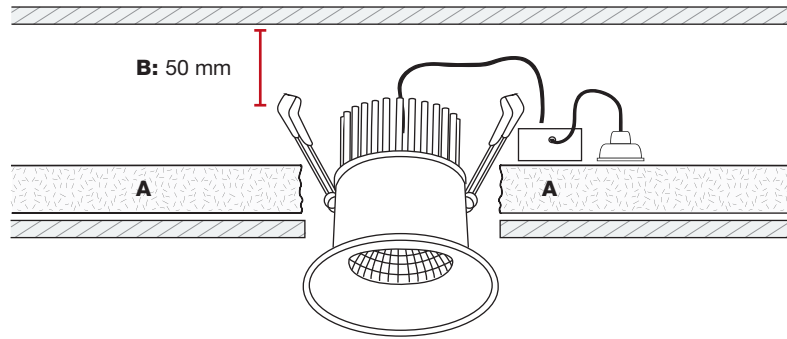
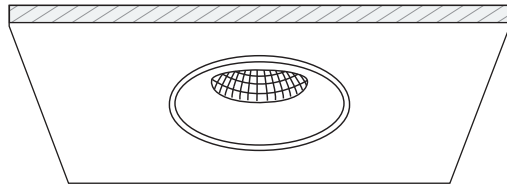


**5** Do not cover luminaire or driver with thermally insulating material **(A)**. It is recommended to allow a minimum of 50 mm clearance above the luminaire as seen in **(B)**.

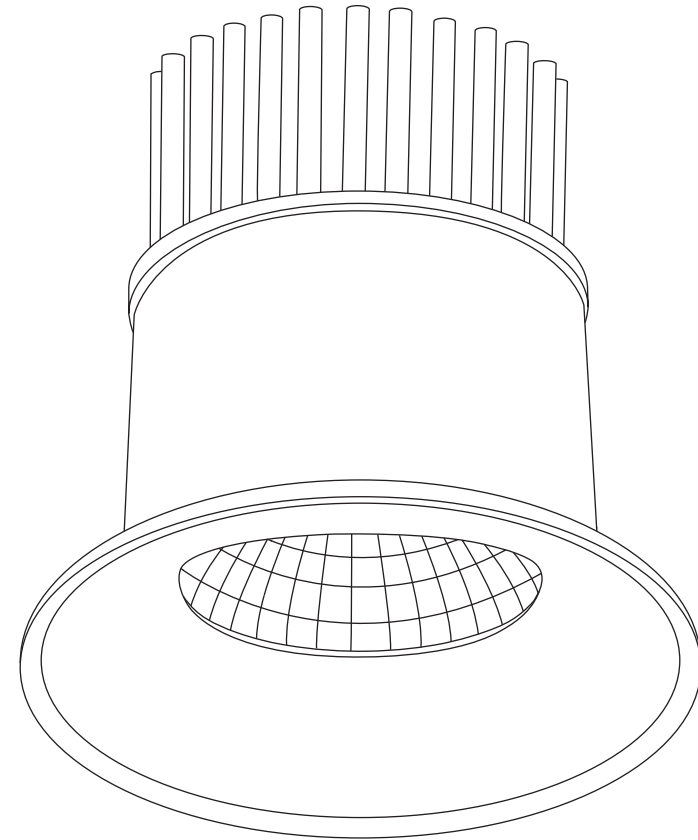


**6** Restore power once installation has been completed.



V1-01.04.2023 Product designs and technical data may be subject to change

# Miniled XDJ10 Recessed Downlight *Installation Guide*



Miniled XDJ10

Trend Lighting Co. Pty Ltd



[trendlighting.com.au](http://trendlighting.com.au)

**For warranty information, please visit**

[trendlighting.com.au/warranty](http://trendlighting.com.au/warranty)

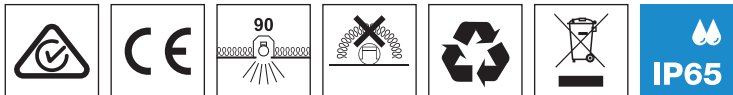
**Important Safety Information**

Please read these installation instructions carefully before installing this luminaire.

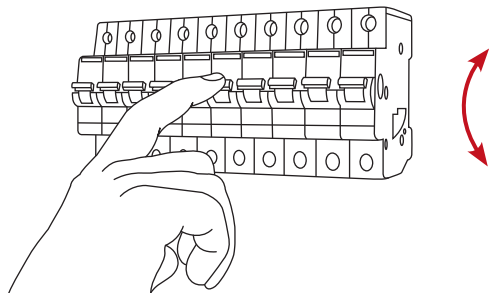
- This product must be installed by a licensed electrician in accordance with AS/NZS 3000 and local regulations.
- Isolate the mains power supply prior to installation.
- Only reconnect mains power after installation is completed.
- No part of the luminaire should be altered or modified.
- This product is not user serviceable.

**Approvals**

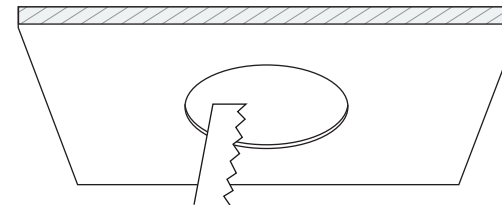
The RCM marking of this product applies to AS/NZS 4417.1 "Regulatory compliance mark (RCM) for electrical and electronic equipment". This product is designed to conform to AS/NZS 60598 "Luminaires, general requirements and tests".



**1** Isolate the mains power supply prior to commencing installation.

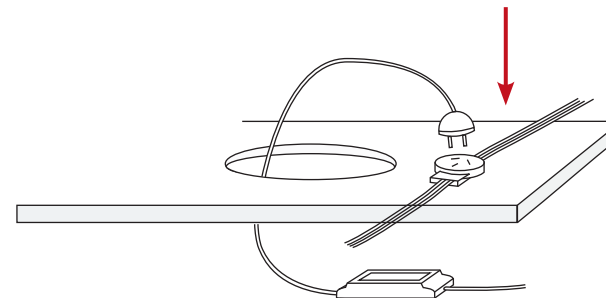


**2** Mark at the correct location. Cut a hole in the ceiling in accordance with cutout size. XDJ10 ceiling cutout: **70 mm**



To maintain IP65 rating on XDJ10, ensure that the luminaire is installed on a flat, level ceiling and that the luminaire has an adequate seal to the mounting surface.

**3** Connect luminaire to 240V plug socket.



**4** Lift the springs upward to ensure the luminaire can be installed into the mounting hole.

