



Scan to explore
VSL6 online

Spike VSL6

6W IP65 Rated Exterior Spike Light

Product Code	Colour Temperature	Colour Technology	Beam Angle	Trim Colour	Accessories *
VSL6	3 (3000K)	(CRI 80+ Standard)	MB (Medium)	B (Black)	GLS Glare Shield

Order Code **VSL63-MB-B**

* Optional accessories



Product Features

- Surface mounted IP65 rated adjustable spike light, offering a flexible solution for landscape and architectural lighting
- Manufactured from 316 stainless steel with a powder coat finish
- CRI 80+ available in 3000K CCT option
- Provided with garden spike attachment
- Compatible driver models available upon request

Requirements

12V DC 500mA constant voltage driver

Product Attributes

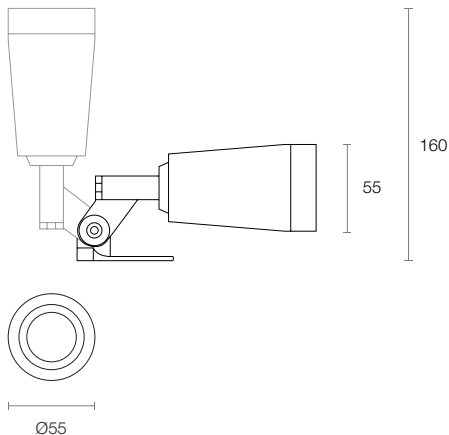


To configure this spike light, please visit
trendlighting.com.au/product/spike-VSL6

Physical Characteristics

Trim Colour	Black
Dimensions	Ø55 x 160 (H) mm
Tilt Angle	90°
Weight	688 g

Dimensions (mm)



Technical Characteristics

Based on VSL63-MB-B

LED Power	6W
LED Type	COB
Lumen Output	540 lm
Luminous Flux	467 lm
Efficacy	77.83 lm/W
Colour Temperature	3000K
Colour Technology	CRI 80+
Colour Deviation	SDCM ≤ 3
Lifetime	50,000 hours (L80)
Beam Angle	Medium

System Power	6W Typical (12V DC 500mA)
--------------	---------------------------

General Characteristics

Category	Exterior
Family	Spike
Surface	Floor Wall
Mounting	Surface Mounted
Ingress Protection	IP65



Scan to explore
VSL6 online

Spike VSL6

6W IP65 Rated Exterior Spike Light

Product Code	Colour Temperature	Colour Technology	Beam Angle	Trim Colour	Accessories *
VSL6	3 (3000K)	(CRI 80+ Standard)	MB (Medium)	B (Black)	GLS - Glare Shield

Order Code **VSL63-MB-B**

* Optional accessories

To configure this wall light, please visit
trendlighting.com.au/product/spike-VSL6

Trim Colour & Product.....



B
Black Trim

Attachment



Garden Spike

Accessories *



GLS
Glare Shield