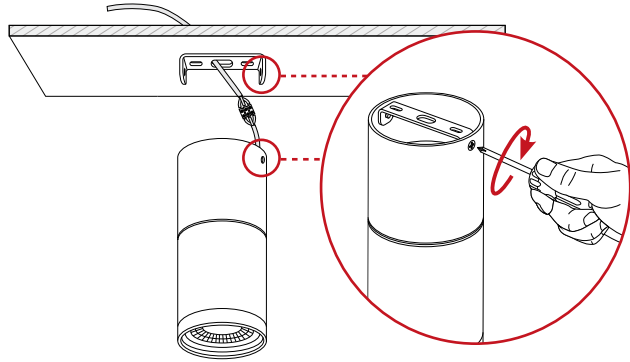
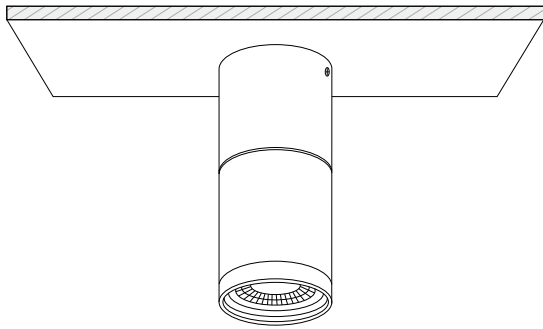


5 Tighten the screws to secure the luminaire's body to the mounting bracket on the ceiling.

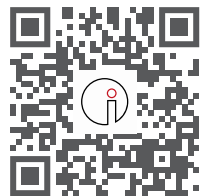
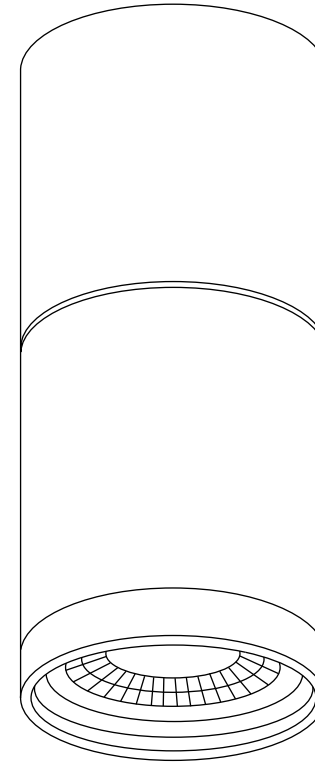


6 Restore power once installation has been completed.



V1-04.04.2024 Product designs and technical data may be subject to change

Surface XSO10 LED Downlight *Installation Guide*



For warranty information, please visit
trendlighting.com.au/warranty

Important Safety Information

Please read these installation instructions carefully before installing this luminaire.

- This product must be installed by a licensed electrician in accordance with AS/NZS 3000 and local regulations.
- Isolate the mains power supply prior to installation.
- Only reconnect mains power after installation is completed.
- No part of the luminaire should be altered or modified.
- This product is not user serviceable.

General Information



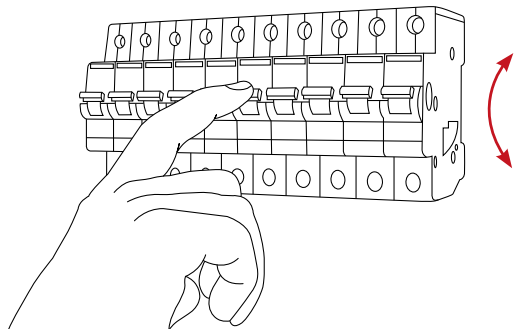
Product Code

XSO10

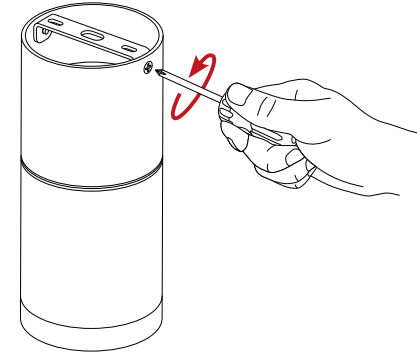
Dimensions

Ø60 mm x 157 (H) mm

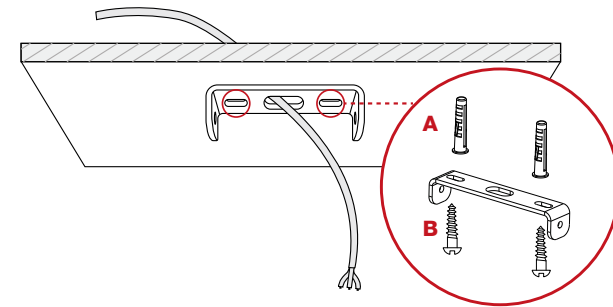
1 Isolate the mains power supply prior to commencing installation.



2 Loosen the screw to unscrew the mounting bracket from the luminaire's body.



3 Attach the mounting bracket into the ceiling using plugs (A) and screws (B).



4 Connect 240V power feed to the terminal block of the luminaire.

