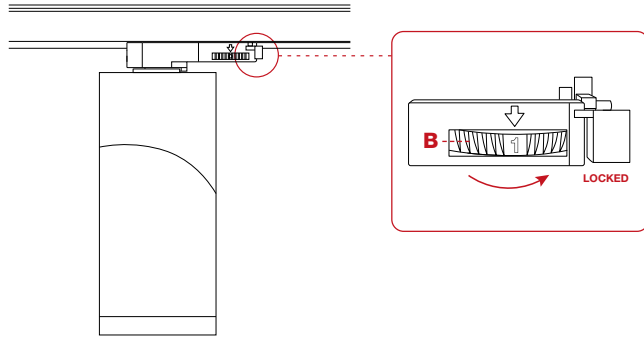
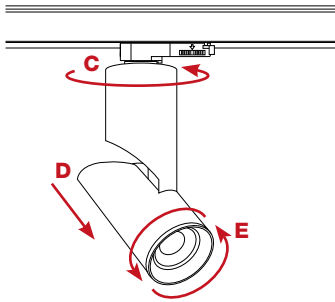


- 5** Connect / Reconnect track to power and switch the track selection knob **(B)** to the required circuit (Circuit 1 shown below).



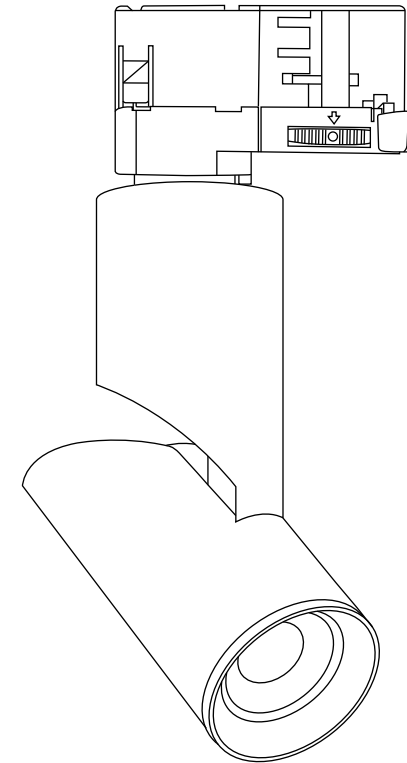
- 6** The fixture features a fully adjustable design with 350° horizontal rotation **(C)** and 90° vertical tilt **(D)**. Twisting the zoomable lens **(E)** allows for altering the beam angle — twisting left widens the beam to 70°, while twisting right narrows it to 20°.



V1-02-05.2024 Product designs and technical data may be subject to change.

Track Spot XTF10

Installation Guide



For warranty information, please visit
trendlighting.com.au/warranty

Important Safety Information

Please read these installation instructions carefully before installing this luminaire.

- This product must be installed by a licensed electrician in accordance with AS/NZS 3000 and local regulations.
- Isolate the mains power supply prior to installation.
- Only reconnect mains power after installation is completed.
- No part of the luminaire should be altered or modified.
- This product is not user serviceable.

Installation Notes



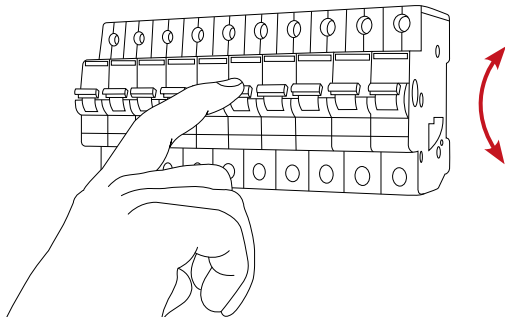
Product Code

XTF10

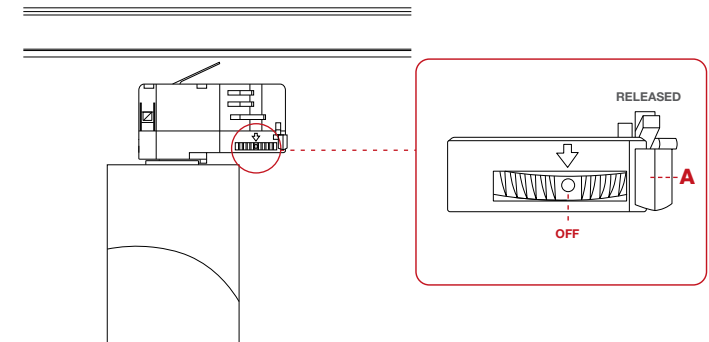
Dimensions

Ø54 x 144 (H) mm

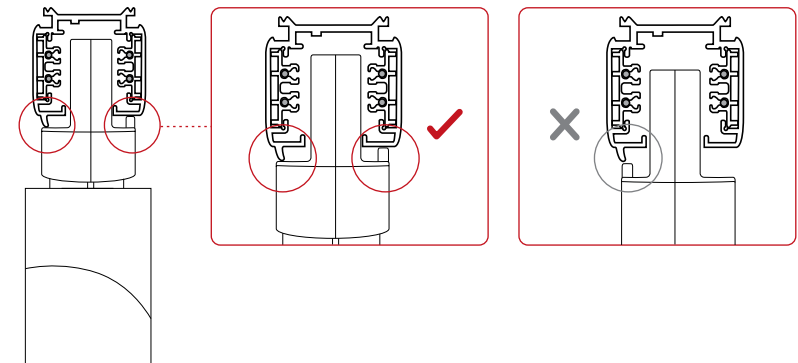
- 1** Isolate the mains power supply prior to commencing installation.



- 2** Check to ensure the circuit selector knob is set to 'off' and the locking lever (A) is in the 'released' position.



- 3** Ensure the track connector is oriented correctly in the track.



- 4** Insert luminaire into the track and move locking lever (A) to the locked position.

